



**KITCHEN EQUIPMENT**

**SERVING THE FOOD INDUSTRY SINCE 1951**

## **SPIRAL MIXERS WITH REMOVABLE BOWLS**

**Items: 47087, 47088, 47287, 47288**



47087



47088



47287/47288



**WARRANTY**

PARTS AND LABOR



For 47088 & 47288

NEMA  
5-15R  
125 VAC / 15 AMP  
RECEPTACLE



For 47087 & 47287

NEMA  
6-20R  
250 VAC / 20 AMP  
RECEPTACLE



Authorized Dealer

# KITCHEN EQUIPMENT

## SPIRAL MIXERS WITH REMOVABLE BOWLS

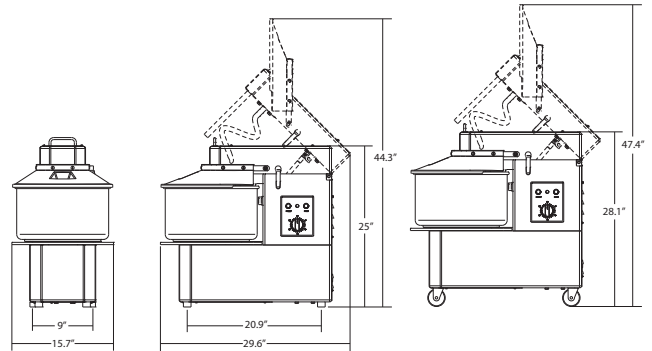


### FEATURES

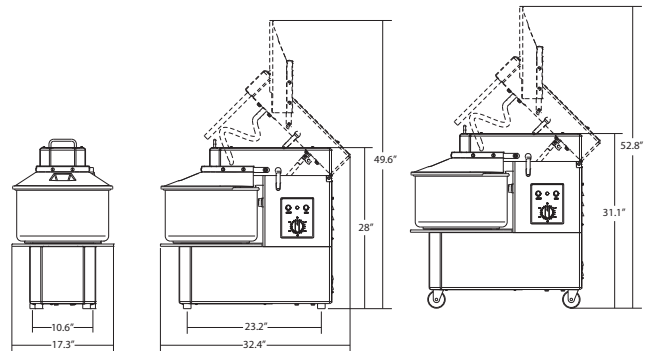
- Made from large thickness C40 steel
- Scratch resistant powder coating
- The bowl is made with reinforced edge and AISI 304 stainless steel shaft
- Froged spiral tool
- Lid with opening to add ingredients during operation
- High efficiency ventilated motor with oil-bath gear box
- Thermal overload protection circuit breaker



	<b>21L Spiral Mixer with Removable Bowl</b>	<b>21L Spiral Mixer with Removable Bowl and Timer</b>
<b>Item</b>	47087	47287
<b>Model</b>	MX-IT-0020-R	MX-IT-0020-RT
<b>Power</b>	750 W / 1 HP	750 W / 1 HP
<b>Electrical</b>	120V / 60Hz	120V / 60Hz
<b>RPM (Bowl/Spiral)</b>	10 / 85	10 / 85
<b>Bowl Dimensions</b>	Ø 14.2" x 8.3"	Ø 14.2" x 8.3"
<b>Net Weight</b>	184.1 lbs / 83.5 kg	184.1 lbs / 83.5 kg
<b>Gross Weight</b>	209.4 lbs / 95 kg	209.4 lbs / 95 kg
<b>Dimensions (DWH)</b>	29.6" x 15.7" x 44.3" (Open Lid: 44.3")	29.6" x 15.7" x 44.3" (Open Lid: 44.3")
<b>Gross Dimensions</b>	22.8" x 32.7" x 39.4"	22.8" x 32.7" x 39.4"



	<b>32L Spiral Mixer with Removable Bowl</b>	<b>32L Spiral Mixer with Removable Bowl and Timer</b>
<b>Item</b>	47088	47288
<b>Model</b>	MX-IT-0030-R	MX-IT-0030-RT
<b>Power</b>	1100 W / 1.5 HP	1100 W / 1.5 HP
<b>Electrical</b>	220V / 60Hz	220V / 60Hz
<b>RPM (Bowl/Spiral)</b>	10 / 85	10 / 85
<b>Bowl Dimensions</b>	Ø 15.7" x 10.2"	Ø 15.7" x 10.2"
<b>Net Weight</b>	239.1 lbs / 108.5 kg	239.1 lbs / 108.5 kg
<b>Gross Weight</b>	264.6 lbs / 120 kg	264.6 lbs / 120 kg
<b>Dimensions (DWH)</b>	32.4" x 17.3" x 49.6" (Open Lid: 49.6")	32.4" x 17.3" x 49.6" (Open Lid: 49.6")
<b>Gross Dimensions</b>	22.8" x 32.7" x 39.4"	22.8" x 32.7" x 39.4"



## OMCAN INC.

Telephone: 1-800-465-0234  
 Fax: (905) 607-0234  
 Email: sales@omcan.com  
 Website: www.omcan.com



Follow us to keep up to date with the latest news and offers



2017E&OE